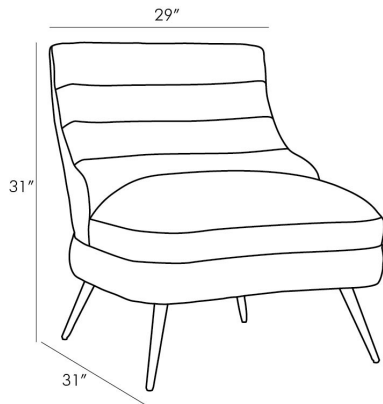


ARTERIOS

DUNE CHAIR EMERALD VELVET

WINDSOR SMITH



DS8003

H: 31 IN, W: 29 IN, D: 31 IN

Forest Velvet

Contract Suitable As Is

Sink in to the rolling landscape of the Dune Lounger. Designed for comfort in every way the sleek channeled form decadent emerald velvet and tapered antique brass legs are elegantly effortless.

APPEARANCE

| | |
|------------------|------------------------|
| Material | Aluminum, Velvet |
| Finish | Antique Brass, Emerald |
| Top Coat/Sealant | false |

DIMENSIONS

| | |
|-------------|--------------------|
| Foot Print | W: 29 IN, D: 31 IN |
| Seat Height | 18 IN |

SHIPPING

| | |
|----------------|------------------------------|
| Product Weight | 35.5 LBS |
| Gross Weight 1 | 100 LBS |
| Shipping Box 1 | H: 35 IN, L: 31 IN, W: 33 IN |

CONTRACT

| | |
|------------------------------|---------------------------------------|
| Contract Suitable | true |
| Fabric Composition | 49% Viscose, 42% Cotton, 9% Polyester |
| Fabric Double Rub Count | 100,000 |
| Fabric Compliancy | NFPA-260, TB117-2013 |
| Contract Textile Suitability | High Traffic/Public Spaces |
| Swatch Number | V27SW, V278X8 |